



EditorsKeys™
Studio Series

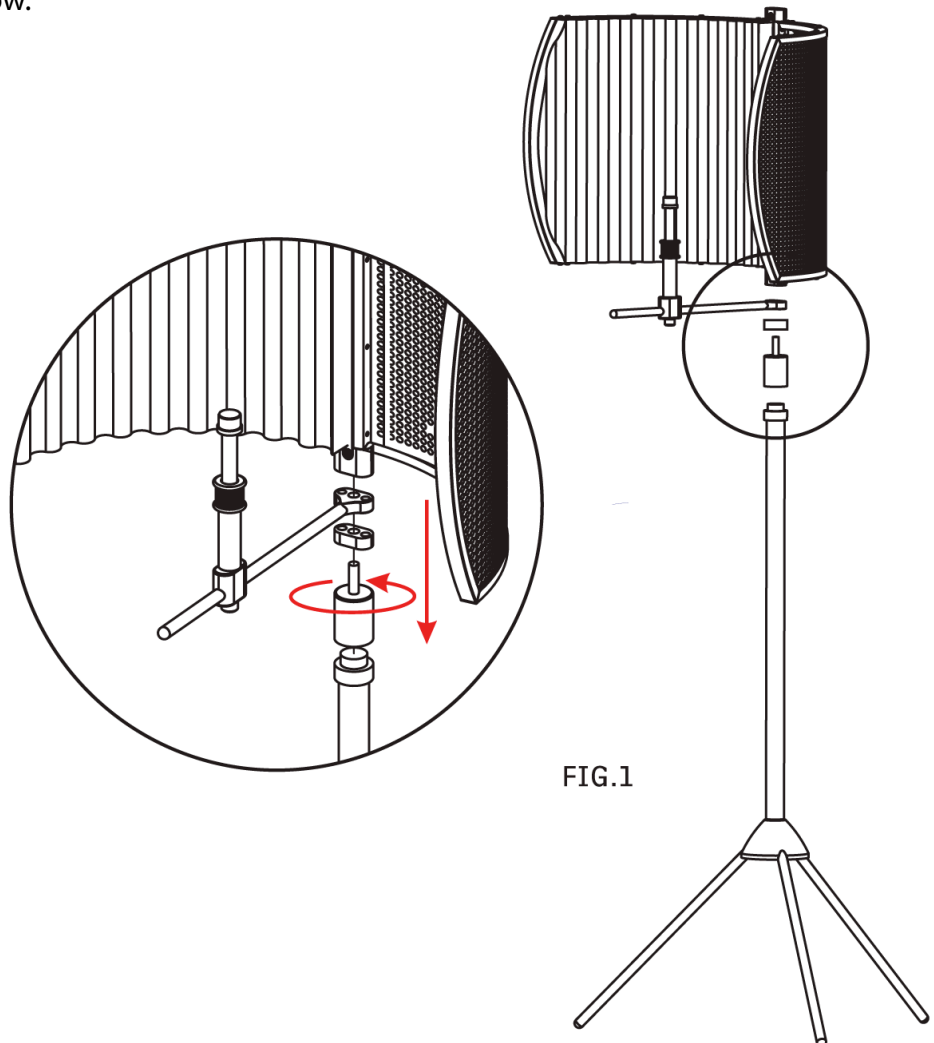
29192 261162

INSTRUCTION SHEET

Portable Vocal Booth 'Pro' Instruction Sheet

Thank you for choosing the EditorsKeys Portable Vocal Booth 'Pro' Edition. We're sure you'll love using it, and setup is simple, follow the instructions below and get perfect vocals every time.

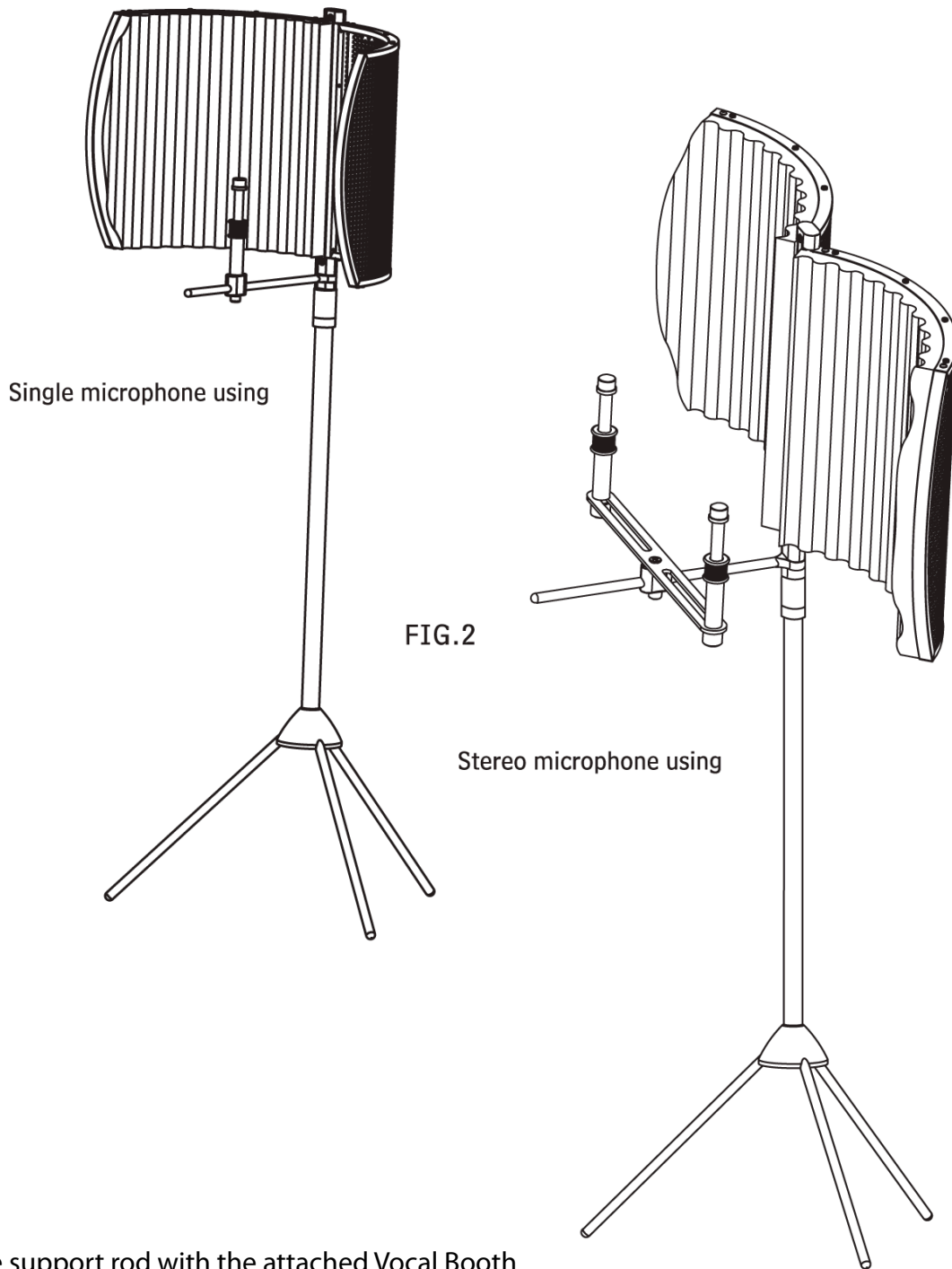
- 1.) Tighten the screw adapter nut and the support rod with the vocal booth head unit first, then fix it to the stand as displayed below.



www.editorskeys.com



EditorsKeys™
WWW.EDITORSKEYS.COM



2.) Fix the support rod with the attached Vocal Booth head unit by pushing the support rod into the socket on top of the clamp stand.

Tighten it with the metal handle on the block. You can now record using one, or two microphones, by choosing the different support rods included.

We wish you the very best, and would love to hear how you are using your Portable Vocal Booth.

www.editorskeys.com